



ComInTec[®]
Safety in Power Transmission

COMPACT JAW COUPLING

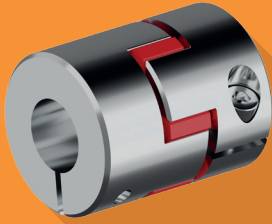
UP TO 1310 Nm TORQUE AND 60 mm BORE



ED. 10/2022

GAS/SG/C-AL

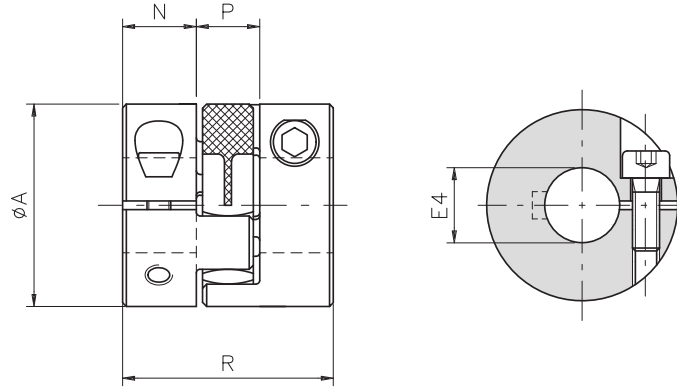
GAS/SG/C-AL - COMPACT «aluminium» zero play jaw coupling: technical specifications



- ⦿ Compact solution
- ⦿ Manufactured in fully machined aluminium.
- ⦿ Zero play model with high torsional rigidity.
- ⦿ Elastomer available in various degrees of hardness.
- ⦿ Reduced weight and moment of inertia.
- ⦿ Electrical isolation between parts.

ON REQUEST

- ⦿ Part clamp locking with keyway slot (type B1).
- ⦿ Customisable for specific requirements.



DIMENSIONS

Sizes	Nom. Torque [Nm] (*)			A	E4 H7		N	P	R	U1	Weight [Kg]		Inertia [10^{-3} Kg m^2]		Max speed [Rpm]	Clamp locking	
	92 Sh-A	98 Sh-A	64 Sh-D		min	max					M1	Jaw	M1	Jaw		Screw	Tightening torque [Nm]
▲ 04 (7)	1	2-2	-	14	3	6	5	8	18	2,5	0,002	0,0007	0,000065	0,000015	34000	M2,5	0,8
▲ 03 (9)	3	5	-	20	4	9	7	10	24	3,5	0,006	0,002	0,000375	0,000080	22000	M3	1,4
▲ 02 (12)	5	9	12	25	5	12	6.5	12	25	3,5	0,009	0,003	0,001035	0,000300	20000	M3	1,4
01 (14)	7.5	12,5	16	30	6	15	10	12	32	5	0,015	0,005	0,002478	0,000500	19000	M4	3,1
00 (19)	10	17	21	40	8	20	17	16	50	8	0,065	0,009	0,019483	0,001500	14000	M5	6,2
0 (24)	35	60	75	55	10	32	18	18	54	8	0,055	0,020	0,020908	0,008000	10500	M6	10,5
1 (28)	95	160	200	65	14	36	21	20	62	9	0,135	0,030	0,133790	0,018000	9000	M8	25
2 (38)	190	325	405	80	15	45	26	24	76	11	0,200	0,060	0,193815	0,050000	7000	M8	25
▲ 3 (42)	265	450	560	95	20	50	32	26	90	16	0,335	0,098	0,653572	0,100000	6000	M10	45
▲ 4 (48)	310	525	655	105	25	60	33	28	94	17	0,465	0,105	0,984324	0,200000	5500	M12	80

TRANSFERABLE TORQUE TYPE B CLAMP LOCKING

Sizes	Transferable torque [Nm] with respect to the diam. of the finished hole [mm]																																												
	3	4	5	6	8	9	10	11	12	14	15	16	18	19	20	22	24	25	28	30	32	35	36	38	40	42	45	48	50	55	60														
▲ 04 (7)	1,5	1,6	1,7	1,8																																									
▲ 03 (9)		3,2	3,3	3,5	3,8	4,0																																							
▲ 02 (12)			3,8	4,0	4,3	4,5	4,7	4,8	5,0																																				
01 (14)				8,3	8,9	9,2	9,5	9,8	10,1	10,7	11,0	▲11,3																																	
00 (19)					21	21	22	23	23	24	25	25	27	27	28	▲26	▲27																												
0 (24)							35	35	36	37	38	39	40	41	41	42	44	44	46	48	50																								
1 (28)										78	79	80	83	84	85	88	90	91	95	98	100	104	▲105																						
2 (38)										94	95	98	99	100	103	105	106	110	113	115	119	120	123	125	128	131																			
▲ 3 (42)															179	183	186	188	194	198	202	208	210	214	217	221	227	233	237																
▲ 4 (48)																			291	300	305	311	319	321	327	333	338	347	355	361	375	388													

▲ On request

N.B.

- The weight values refer to the unworked hole coupling.
- The inertia values refer to the maximum hole coupling.
- B and B1 locking activated with single axial cut.
- (*) For short periods: **Max. Torque = Nom. Torque x 2**