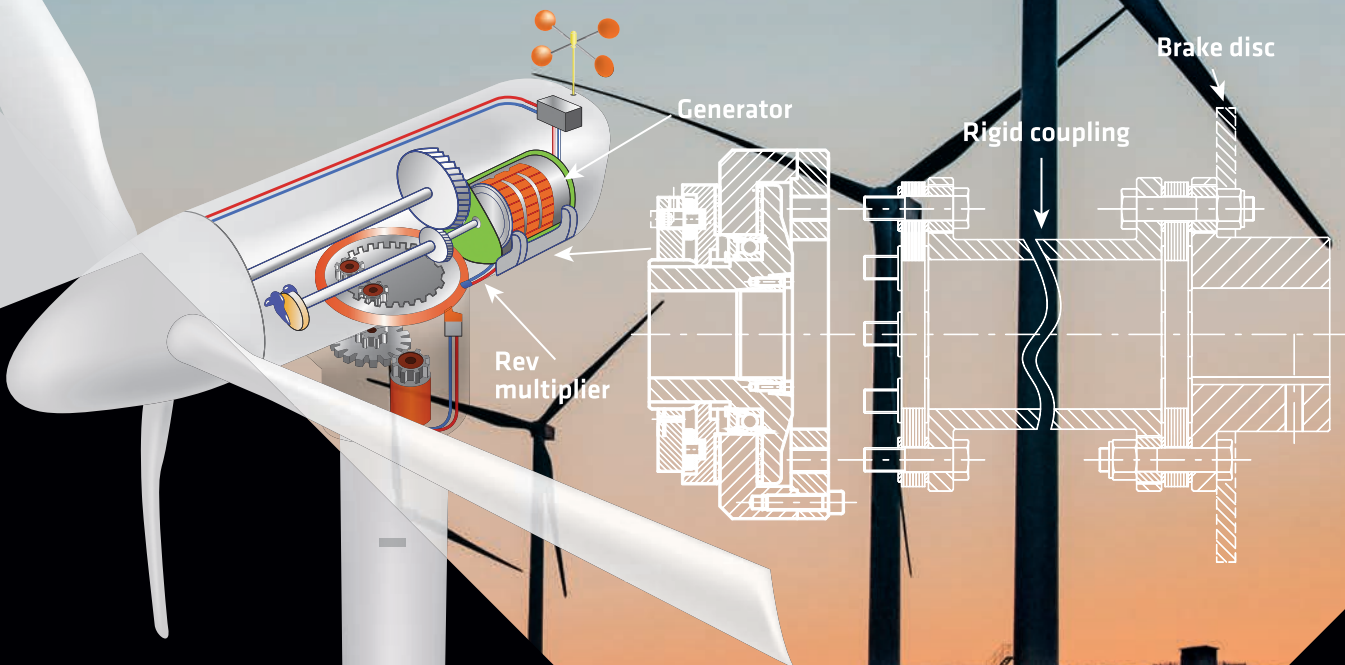


**PROTECTION
FOR WIND
TURBINES**



ComInTec[®]
Safety in Power Transmission



- Protection of generators against sudden loads
- Protection of rev multipliers against inverse torque
- Maximum energy production efficiency and reduced down time
- Increased service life of principal mechanical components

**TORQUE LIMITER
BETWEEN GENERATOR AND REV MULTIPLIER
WITH THE OPTION OF CONNECTING A COUPLING AND A BRAKE DISC**

Protection for medium-high power

> 100 Kw



DFW + GTR

(Friction torque limiter for WIND with torsionally rigid coupling)

- Bidirectional operation
- Disengagement in the event of load peaks
- Specific anti-corrosion treatments for protection against external agents, in conformity with ISO12944
- Connection with torsionally rigid coupling via extension in composite material
- Electrical isolation between generator and rev multiplier
- Dynamic balancing in conformity with ISO 1940-1

DFW			
Size	De Max [mm]	Max Torque Ø H7 [mm]	Max Bore [Nm]
1	350	110 / 155	15000
2	410	125 / 175	20000
3	470	145 / 190	30000

Protection for low-medium power

< 100 Kw



DF + GAS

(Friction torque limiter with star jaw coupling)

- Bidirectional operation
- Disengagement in the event of load peaks
- Vibration damping
- Connection via elastic coupling
- A compact solution offering an excellent compromise between robustness and physical characteristics
- May be fitted with IEC-B5 type connecting flanges and inductive sensor

DF			
Size	De Max [mm]	Max Torque Ø H7 [mm]	Max Bore [Nm]
3	115	45 / 74	950
4	140	55 / 95	1650
5	170	65 / 110	2800

